

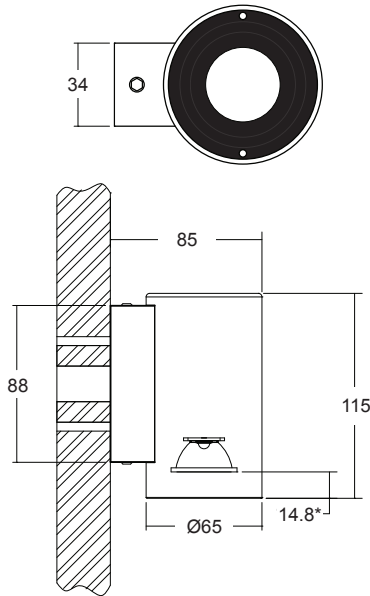
LD10237 with new E1 LED Light Engine



LED Up or Down Wall Washer

Data sheet - Page 2

Dimensions



* 4.3mm when using the taller RGBW optic
(Dimensions in mm)

Finish Options

A range of finishes are available. Painted and anodised finishes are both suitable for exterior applications. However for harsh environments anodised is more hard wearing. Other finishes available.

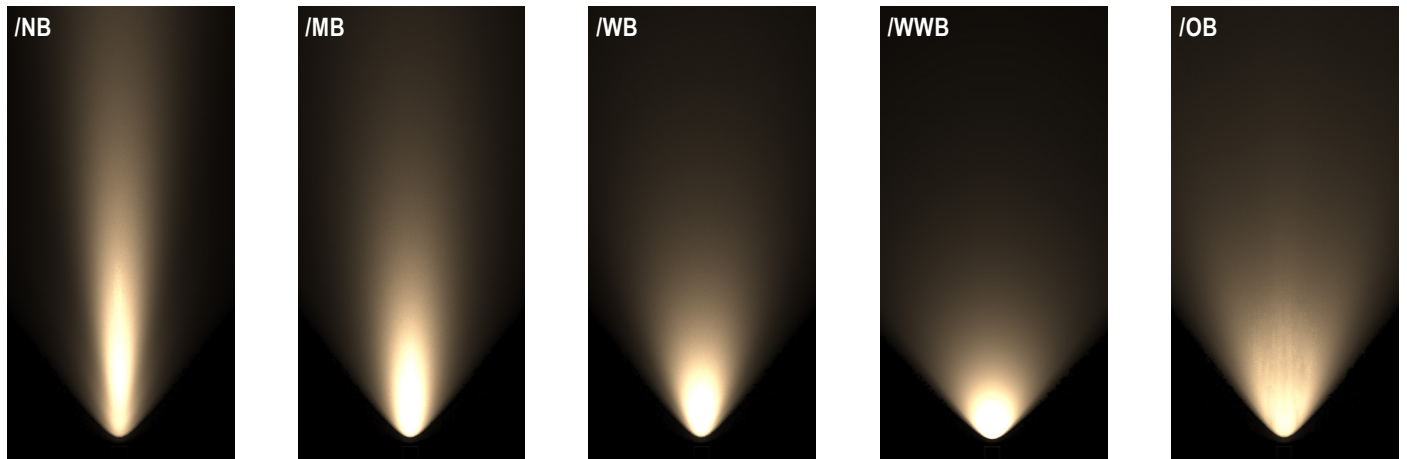
Silver Anodised **Polished and Chemically Brightened** **Paint Finish White** **Paint Finish Black**



*Fitting shown is a modified LD10236

Cone Diagrams

Cone diagrams below are based on a 3000K E1 LED engine run at maximum output 700mA, 10W. Example images shown is a fitting wall washing a 3m wall.



Narrow Beam
700mA using a 10° optic

Distance (m)	Cone Width (m)	Luminance (lx)
3.0	0.62	765
2.5	0.52	1102
2.0	0.41	1721
1.5	0.31	3060
1.0	0.21	6884
0.5	0.10	27538

Medium Beam
700mA using a 19° optic

Distance (m)	Cone Width (m)	Luminance (lx)
3.0	1.06	369
2.5	0.88	531
2.0	0.71	830
1.5	0.53	1475
1.0	0.35	3319
0.5	0.18	13278

Wide Beam
700mA using a 34° optic

Distance (m)	Cone Width (m)	Luminance (lx)
3.0	1.97	131
2.5	1.64	188
2.0	1.32	294
1.5	0.99	523
1.0	0.66	1176
0.5	0.33	4706

Wide Beam
700mA using a 34° optic

Distance (m)	Cone Width (m)	Luminance (lx)
3.0	3.06	63
2.5	2.55	91
2.0	2.04	142
1.5	1.53	253
1.0	1.02	570
0.5	0.51	2279

Oval Beam
700mA using a 15° X 49° optic

Distance (m)	Cone Width (m)	Luminance (lx)
3.0	2.72 / 0.75	217
2.5	2.27 / 0.62	312
2.0	1.81 / 0.50	488
1.5	1.36 / 0.37	868
1.0	0.91 / 0.25	1952
0.5	0.45 / 0.12	7809

Photometric files (LDT) are included in the design pack which can be downloaded from the LD10237 product page on the website.

LD10237 with new E1 LED Light Engine

LED Up or Down Wall Washer

Data sheet - Page 3

Product Features**OPTIC**

Revised high efficiency optics with a new range of beam angles to create the ideal lit effect.

LED

- E1 LED engine.
- E1 LED engine, with the optional 2nd channel.
- TW Tunable White LED engine.
- RGBW LED engine with colour mix lens.
- CLR Colour LED engine.

BODY

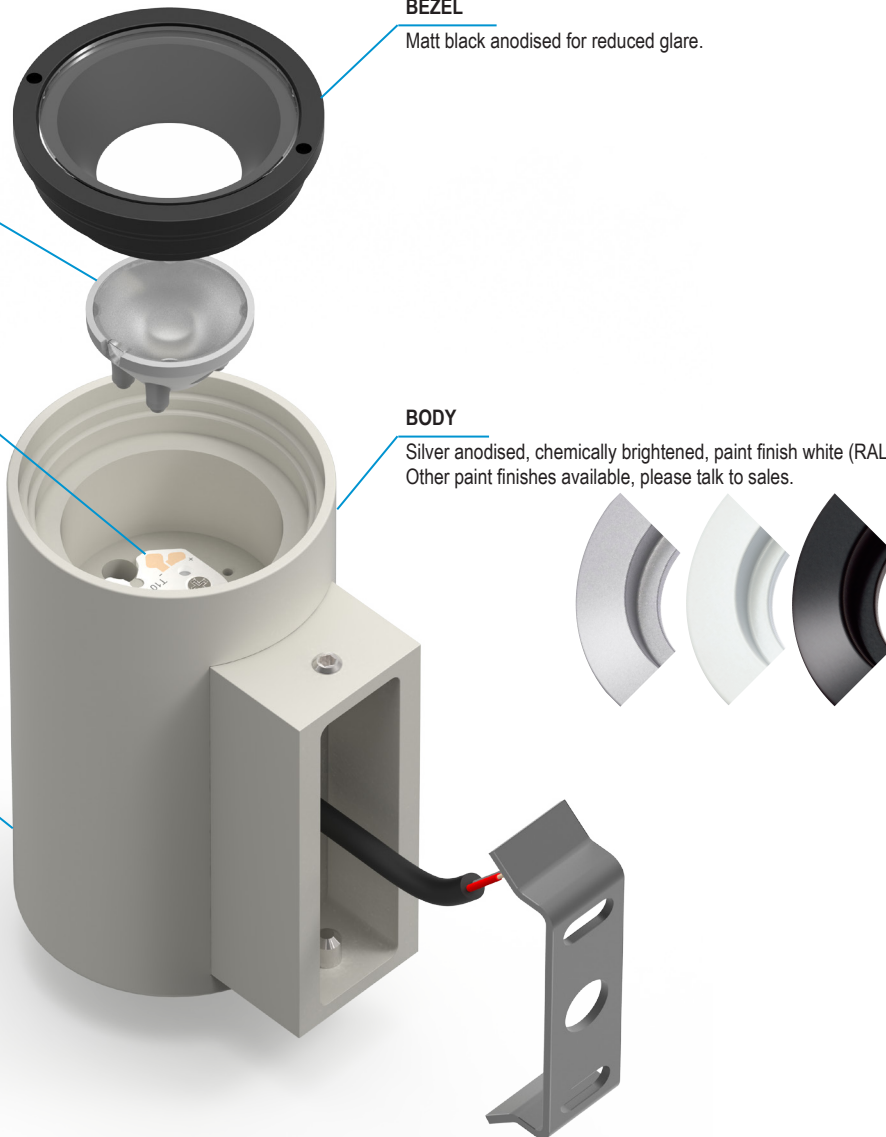
Machined and anodised body. 6000 series aluminium chosen for its thermal characteristics and resistance to corrosion.

BEZEL

Matt black anodised for reduced glare.

BODY

Silver anodised, chemically brightened, paint finish white (RAL 9016) / black / RAL. Other paint finishes available, please talk to sales.



LD10237 with new E1 LED Light Engine



LED Up or Down Wall Washer

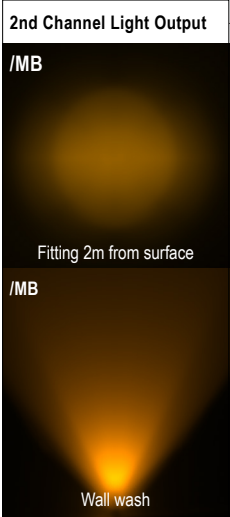
Data sheet - Page 4

LED Options and Technology

New LED Options

LD10237 is now available with a choice of light engines which feature a new all copper board for increased thermal transfer. The new E1 light engine for white light applications uses the new Cree XHP35 LED and features on board polarity protection.. This smaller LED chip has enabled a wider range of beam angles to be offered, coupled with increased efficiencies. This engine is also available with two extra LEDs on a second channel, for night lighting and marine navigation applications. The new tunable white engine offers a choice of dynamic colour options.

	E1 Light Engine (White light)	E1-2CH 2nd channel board	CLR - Colour	TW - Tunable White	RGBW
LED Board					
LED type	Cree XHP35	Cree XHP35 + XQE's	Cree XQE's	Cree XQE's	Cree XML
Key Features	<ul style="list-style-type: none"> - Available in 2700K, 3000K, 4000K and 5000K - Very small chip size - Tighter narrow beams - Wider range of beam angles - 2 step binning - Brighter more efficient LED - On board polarity protection - All copper LED board for increased thermal transfer 	<ul style="list-style-type: none"> - Main white LED with optional 2nd channel for night lighting or marine navigation applications - 2nd channel comprises of 2 XQE LEDs mounted next to the XHP35 - Beam shape from the XQE's is different from the main LED as they are mounted to the sides of the optic - 2 driver circuits required - All copper LED board 	<ul style="list-style-type: none"> - 4 colour XQE LEDs mounted under a single optic - All copper LED board - Red, Blue, Green and Amber colour LED options - Single LED circuit 	<ul style="list-style-type: none"> - 4 XQE LEDs mounted under a single optic - 2 LEDs per colour - Excellent dynamic white mixing from a range of optics - All copper LED board - 2 driver circuits required 	<ul style="list-style-type: none"> - RGBW LEDs mounted under a single 26deg optic for superb colour mixing - White LED is 4000K - All copper LED board - 4 LED circuits required
Cables					
Lumen output	See front page	See front page		See table below	



Colour temperature	Warm White 2700K or 3000K	Cool White 4000K or 5000K
Current	500mA	500mA
LED power (Max) All channels in use	7W (6.3W)	3.5W per channel
CRI (Min)	85	
Delivered lumens (L ₁₀₀)	148lm	188lm
Lumens per circuit watt	42	54

Industry Leading LED Thermal Management

High quality, embedded copper PCB, with direct contact cooling for the LEDs providing industry leading thermal management of the LED. Guaranteeing long life and minimal colour shift.

LD10237

 with new E1 LED Light Engine

LED Up or Down Wall Washer

Data sheet - Page 5

Order Codes and Options

White LED Options - E1 Light Engine

Product code	LED colour	Beam angle	Finish
LD10237-E1 - 350 - 500 - 700			

Example: LD10237-E1-500 / LW30 / NB / Silver Anodised

Product codes with output options

5W LED at 350mA	LD10237-E1-350
7W LED at 500mA	LD10237-E1-500
10W LED at 700mA	LD10237-E1-700

LED colour options

LED colour options	Suffix
Extra Warm White (2700K)	/LW27
Warm White (3000K)	/LW30
White (4000K) - on request	/LW40
Cool White (5000K)	/LW50
With 2nd channel (red for navigation or amber night lighting) LD10237-E1-2CH	/LW**+L*

For other single colour options, please discuss with the sales team

Beam / lens angle options

10° narrow spot	/NB
19° medium	/MB
34° wide	/WB
54° extra wide	/WWB
15° x 49° oval	/OB

Finish options

Silver anodised
Chemically brightened (Stainless steel effect)
Paint finish black / white (RAL 9016) / RAL

Use with 350mA, 500mA & 700mA constant current LED drivers

We have a wide range of dimmable LED drivers, 0-10V, DMX, DALI and Mains dimmable. Please see the downloads section on our website:
To run 1-4 LD10237-E1-350 in series use a TXDEL350D (0-10V dimmable)
To run 1-4 LD10237-E1-500 in series use a TXDEL500D (0-10V dimmable)
To run 1-4 LD10237-E1-700 in series use a TXDEL700D (0-10V dimmable)

Colour LED Options - CLR Light Engine

Example: LD10237-CLR-500 / LR / MB / Black / SMB

LED colour options (max 500mA)	Suffix
Red	/LR
Green	/LB
Blue	/LG
Amber	/LA

Driver requirements identical to E1 engine, beam angles identical to TW engine

Tunable White Options - TW Light Engine

Product code	LED colour	Beam angle	Finish
LD10237-TW - 350 - 500			

Example: LD10237-TW-500 / LW27 + LW40 / MB / Silver Anodised

Product codes with output options

5W LED at 350mA - 2 channels of 2 x 1.2W	LD10237-TW-350
7W LED at 500mA - 2 channels of 2 x 1.7W	LD10237-TW-500

LED colour options

LED colour options	Suffix
Tunable White 2700K & 4000K (standard option)	/LW27 + LW40
Tunable White 2700K & 5000K	/LW27 + LW50
Custom	/LW** + LW**

Fitting comprised of 2x LEDs in one colour temperature & 2x LEDs in another. Other white colour options available on request, please discuss with our sales team.

Beam / lens angle options

Narrow spot not available due to poor colour mixing	
24° medium	/MB
38° wide	/WB
54° extra wide	/WWB
20° x 46° oval	/OB

Finish options

Same as White LED options using the E1 Light Engine

Use with 350mA & 500mA constant current LED drivers

We have a wide range of dimmable LED drivers, 0-10V, DMX, DALI and Mains dimmable. Please see the downloads section on our website:
To run 1-7 LD10237-TW-350 in series use 2x TXDEL350D (0-10V dimmable)
To run 1-7 LD10237-TW-500 in series use 2x TXDEL500D (0-10V dimmable)

Colour Change RGBW Options - RGBW Light Engine

Product code	Finish
LD10237-RGBW - 350 - 500	

Example: LD10237-RGBW-500 / Silver Anodised

Product codes with output options

5W LED at 350mA (4x 1.2W LEDs)	LD10237-RGBW-350
7W LED at 500mA (4x 1.7W LEDs)	LD10237-RGBW-500

RGBW features a 4000K white LED for creating hues

Beam / lens angle

38° colour mix lens	/MB
---------------------	-----

Finish options

Same as White LED options using the E1 Light Engine

Use with 350mA & 500mA constant current LED drivers

We have a range of dimmable LED drivers DMX and DALI compatible. Please see the downloads section on our website:
To run 2-13 LD10237-RGBW-350 in series use a TXDEL4A350DMX or TXDEL4A350DALI
To run 2-13 LD10237-RGBW-500 in series use a TXDEL4A500DMX or TXDEL4A500DALI